

FERRANTI

FERRANTI TAPCHANGERS LIMITED

DS400

MAINTENANCE PARTS MANUAL ON LOAD TAPCHANGING EQUIPMENT

PRE 1984

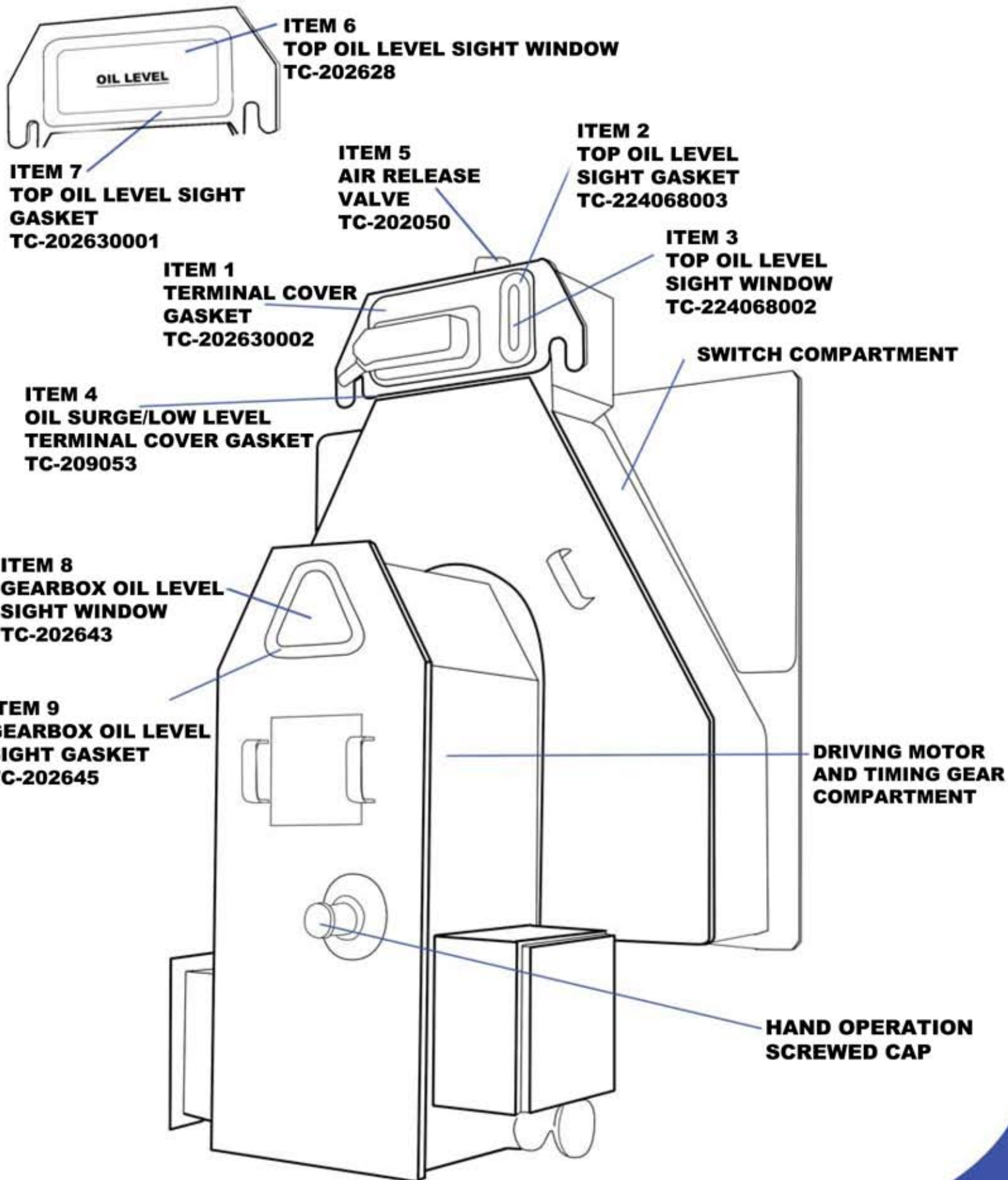


**UNITS 8/9
SOUTHLINK BUSINESS PARK,
HAMILTON STREET
OLDHAM
OL4 1DP
LANCASHIRE
UNITED KINGDOM**

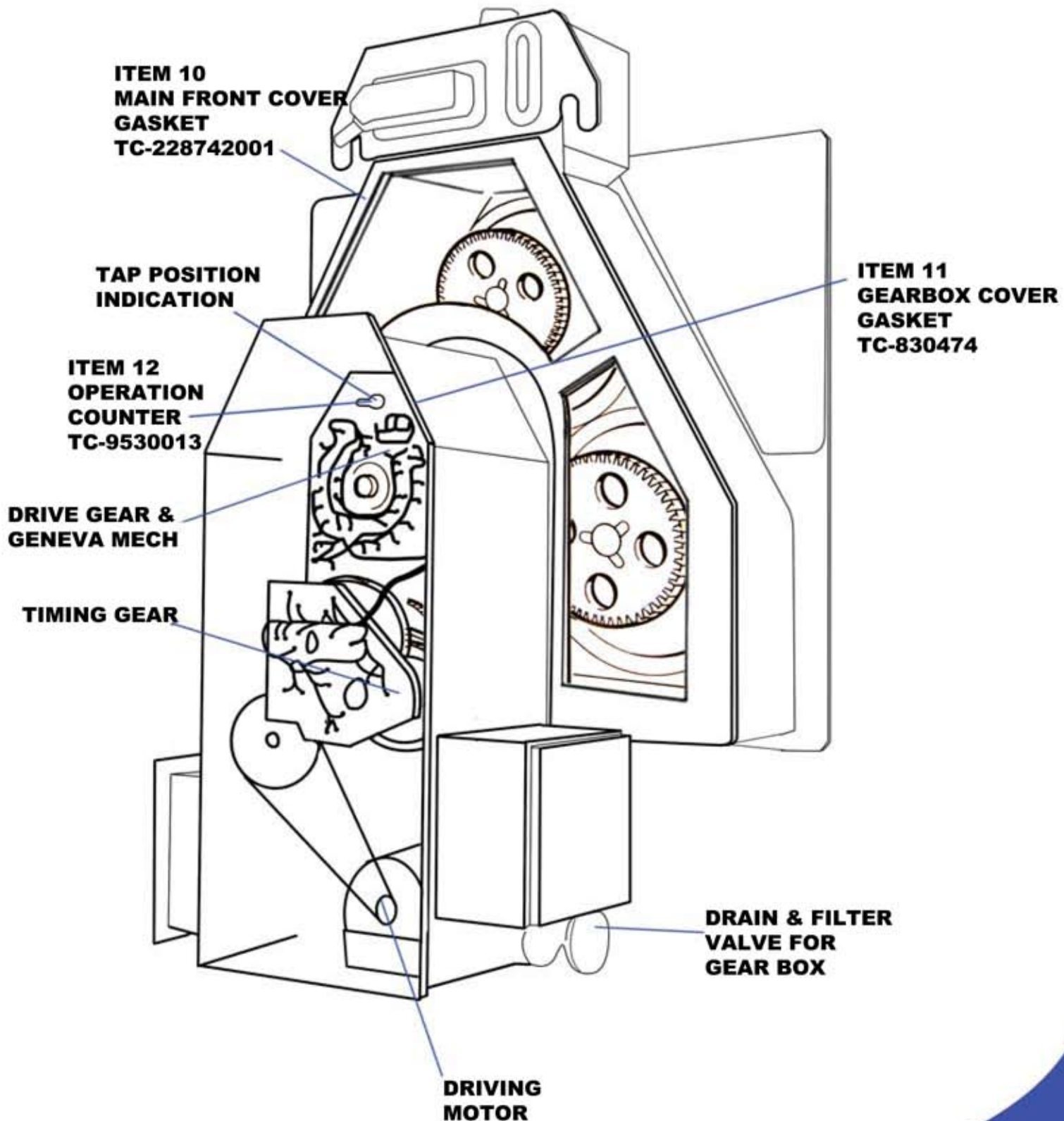
**TEL:++44(0)161 652 2800
FAX:++44(0)161 652 5344
EMAIL: sales@ferrantitapchangers.com
WEBSITE: www.ferrantitapchangers.com**

ISSUE 2 (JAN 2012)

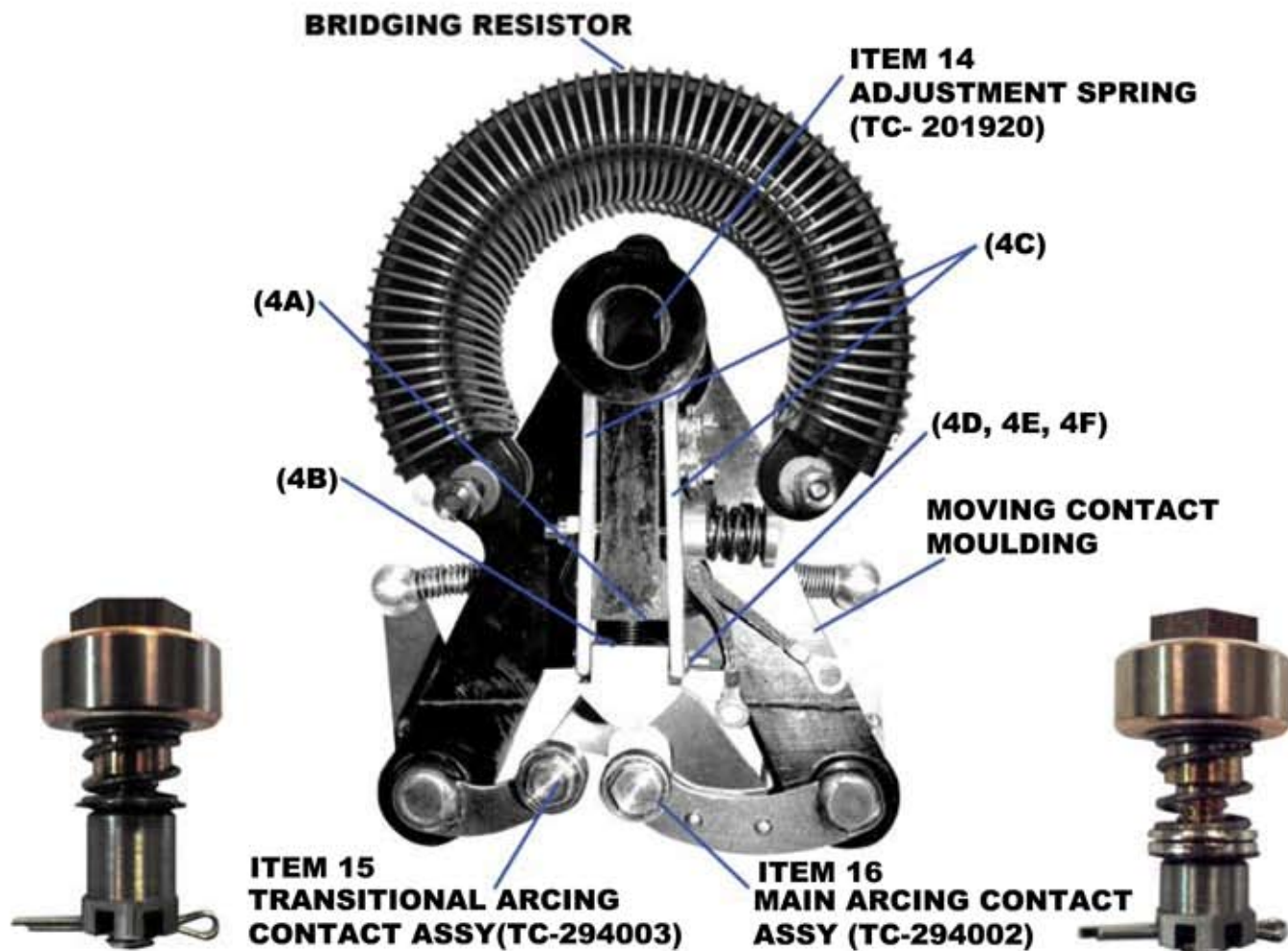
GENERAL VIEW OF DS400 TAPCHANGER



GENERAL VIEW OF DS400 TAPCHANGER WITH COVERS REMOVED



MOVING CONTACT ARM COMPONENTS AND ASSEMBLY



(4B)
MAIN CONTACT



(4C)
CONTACT BARS

ITEM 17
MAIN CONTACT KIT
TC-294007

COMPRISING

4A
4B
4C
4D
4E
4F



(4F)
MAIN CONTACT WASHER



(4E)
SPLIT PIN

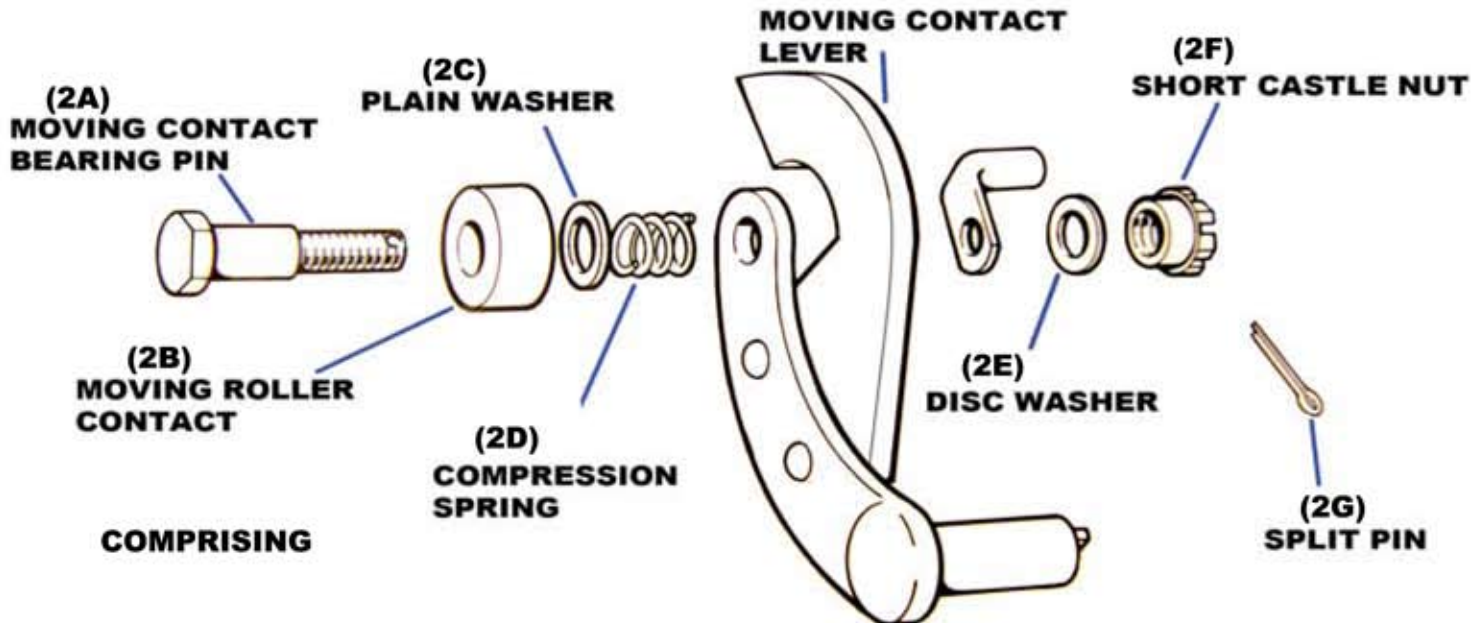


(4A)
MAIN CONTACT SPRINGS



(4D)
HINGE PIN

EXPLODED VIEW OF MAIN ARCING CONTACT

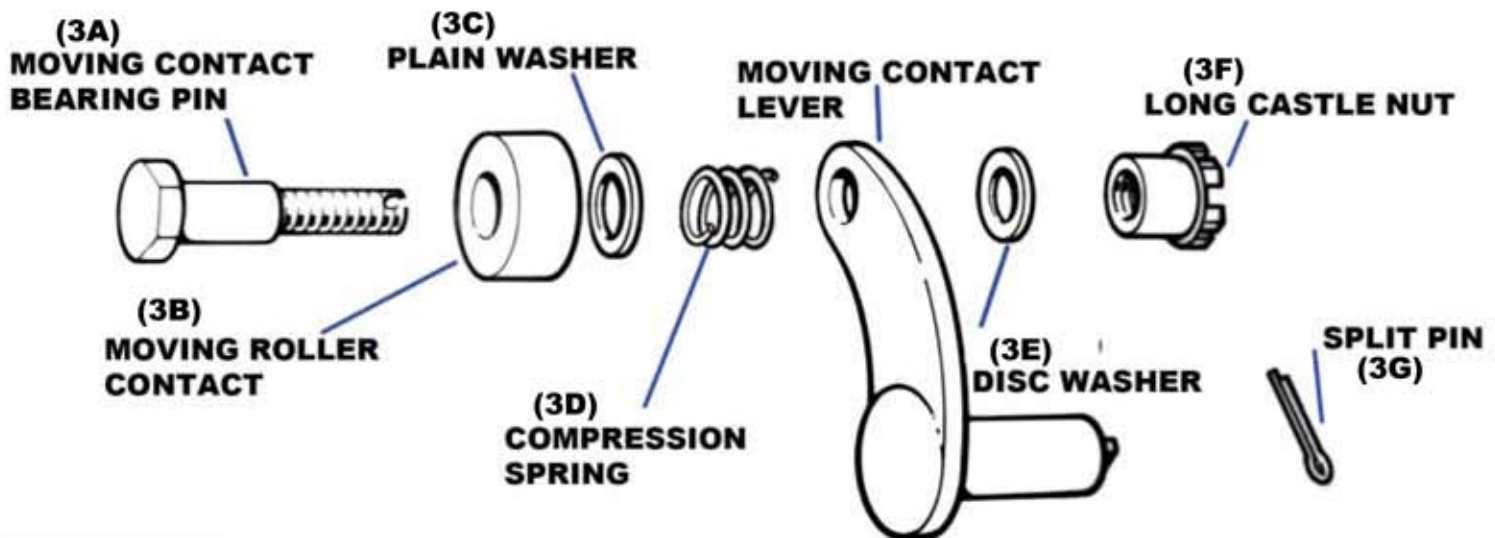


**ITEM 16
ROLLER
CONTACT KIT
SHORT NUT
TC-294002**

COMPRISING

- 2A- MOVING CONTACT BEARING PIN
- 2B- MOVING ROLLER CONTACT
- 2C- PLAIN WASHER
- 2D- COMPRESSION SPRING
- 2E- DISC WASHER
- 2F- SHORT CASTLE NUT
- 2G- SPLIT PIN

EXPLODED VIEW OF TRANSITIONAL ARCING CONTACT



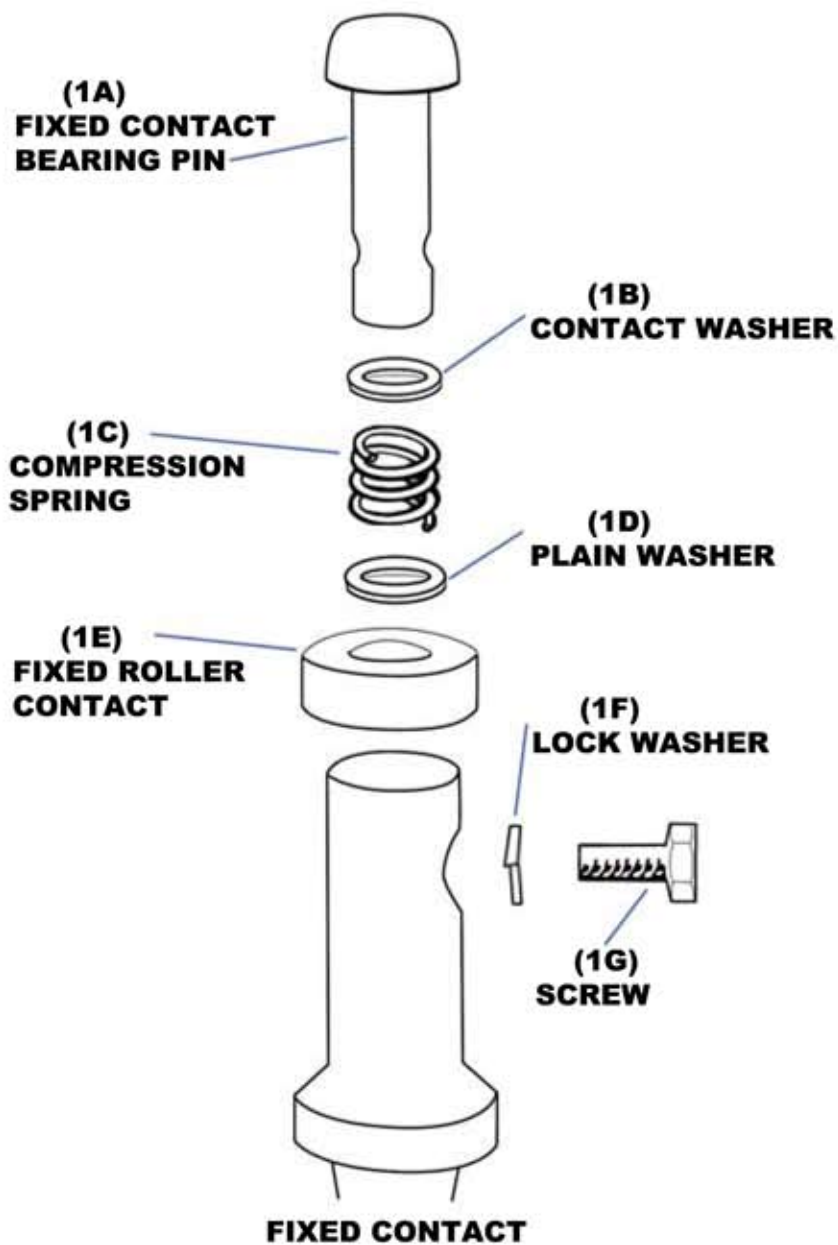
**ITEM 15
ROLLER
CONTACT KIT
LONG NUT
TC-294003**

COMPRISING

- 3A- MOVING CONTACT BEARING PIN
- 3B- MOVING ROLLER CONTACT
- 3C- PLAIN WASHER
- 3D- COMPRESSION SPRING
- 3E- DISC WASHER
- 3F- LONG CASTLE NUT
- 3G- SPLIT PIN

FERRANTI

EXPLODED VIEW OF FIXED CONTACT



**ITEM 18
FIXED CONTACT KIT
TC-294006**

COMPRISING

1A
1B
1C
1D
1E
1F
1G

FERRANTI

PAGE 6

TEL:++44(0)161 652 2800

FAX:++44(0)161 652 5344

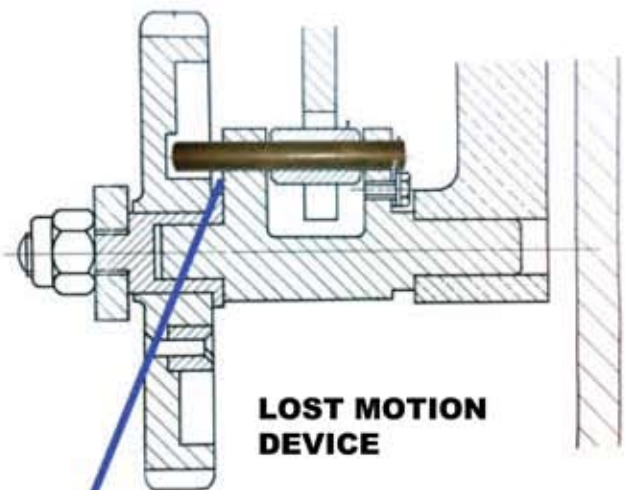
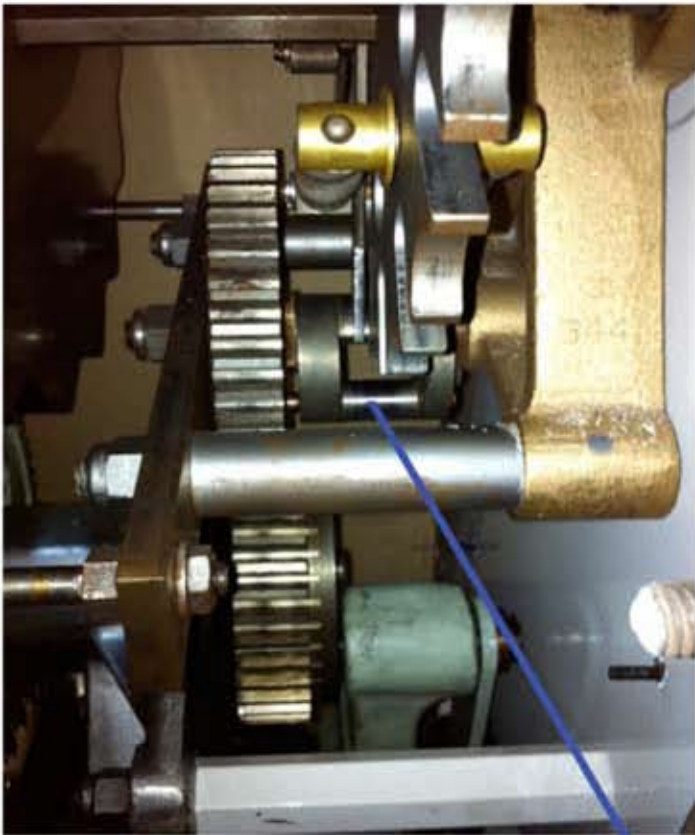
EMAIL: sales@ferrantitapchangers.com

WEBSITE: www.ferrantitapchangers.com

ISSUE 2 (JAN 2012)



**ITEM 12
COUNTER ASSY 5- FIGURE
TC-9530013**



**ITEM 13
DRIVE PIN
TC-202198002**


FERRANTI TAPCHANGERS LIMITED



DS400 MAINTENANCE PARTS

ITEM	PAGE	PART NUMBER	DESCRIPTION	KIT QTY	QTY REQ
1	2	TC-202630002	TOP TERMINAL COVER GASKET	1	
2	2	TC-224068003	TOP OIL LEVEL SIGHT GASKET	2	
3	2	TC-224068002	TOP TERMINAL SIGHT WINDOW	1	
4	2	TC-209053	OIL SURGE / LOW LEVEL TERMINAL COVER GASKET	1	
5	2	TC-202050	AIR RELEASE VALVE	1	
6	2	TC-202628	TOP OIL LEVEL SIGHT WINDOW	1	
7	2	TC-202630001	TOP OIL LEVEL SIGHT GASKET	2	
8	2	TC-202643	GEARBOX OIL SIGHT WINDOW	1	
9	2	TC-202645	GEARBOX OIL LEVEL SIGHT GASKET	2	
10	3	TC-228742001	MAIN FRONT COVER GASKET	1	
11	3	TC-830474	GEARBOX COVER GASKET	1	
12	3,7	TC-9530013	OPERATION COUNTER	1	
13	7	TC-202198002	DRIVE PIN	1	
14	4	TC-201920	ADJUSTMENT SPRING	3	
15	4,5	TC-294003	MOVING CONTACT ASSY-LONG NUT	3	
16	4,5	TC-294002	MOVING CONTACT ASSY - SHORT NUT	3	
17	4	TC-294007	MAIN CONTACT KIT	3	
18	6	TC-294006	FIXED CONTACT KIT	51	



Why not fax or email a copy of this as your order or enquiry to sales on
++44(0)161 652 5334 (Fax) or  sales@ferrantitapchangers.com

PLEASE NOTE: PARTS NOT IDENTIFIED ARE ALSO AVAILABLE EX STOCK

CONTACT

Email: sales@ferrantitapchangers.com
Web Site: www.ferrantitapchangers.com

Ferranti Tapchangers Limited
Unit 8/9 Southlink Business Park,
Hamilton Street,
Oldham,
Lancs
UK
OL4 1DP

Tel: ++44 (0)161 652 2800
Fax: ++44 (0)161 652 5344



8774