

# FERRANTI

## FERRANTI TAPCHANGERS LIMITED

### DS300

PRE 1984

### MAINTENANCE PARTS MANUAL ON LOAD TAPCHANGING EQUIPMENT

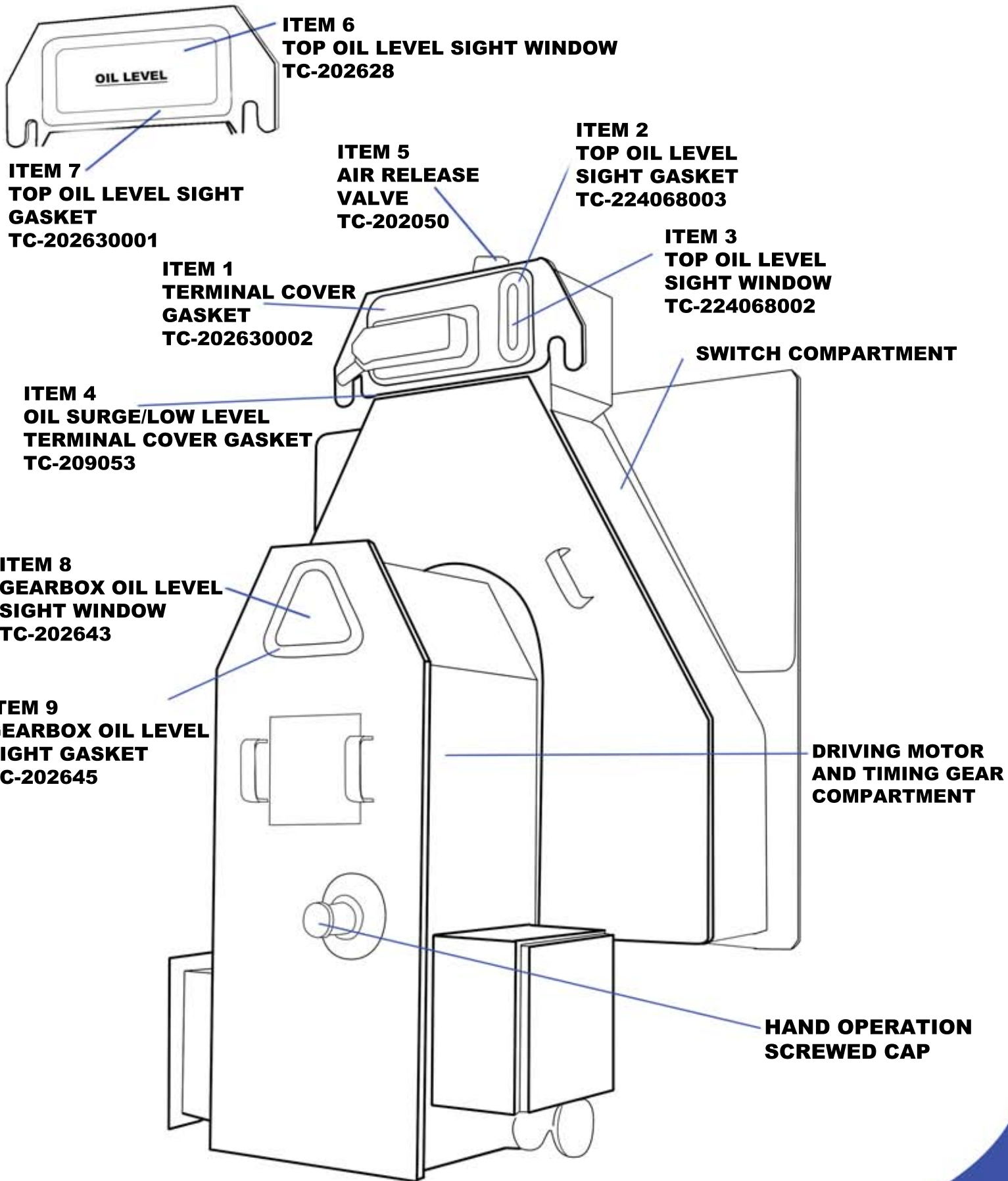


UNITS 8/9  
SOUTHLINK BUSINESS PARK,  
HAMILTON STREET  
OLDHAM  
OL4 1DP  
LANCASHIRE  
UNITED KINGDOM

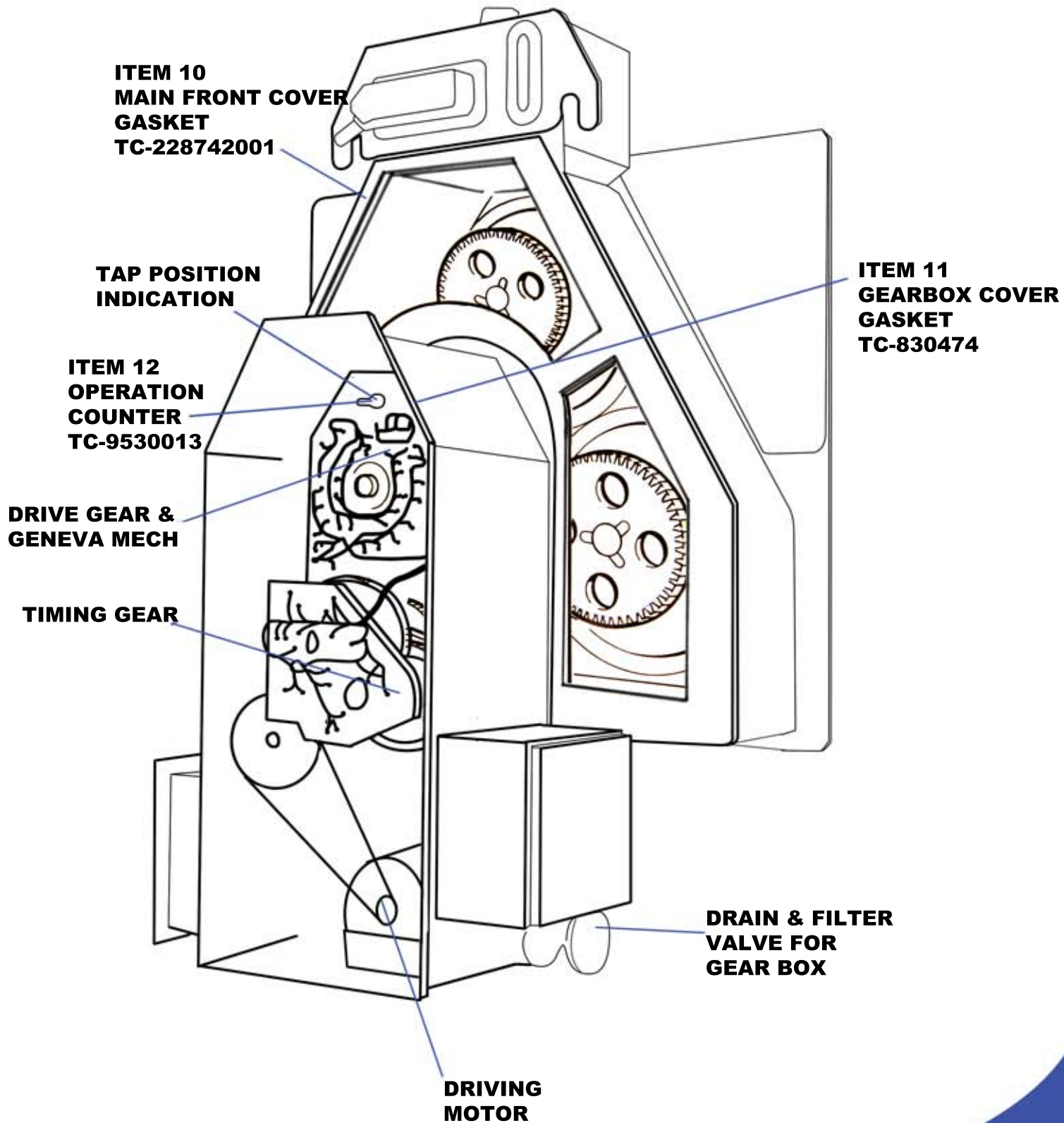
TEL:++44(0)161 652 2800  
FAX:++44(0)161 652 5344  
EMAIL: [sales@ferrantitapchangers.com](mailto:sales@ferrantitapchangers.com)  
WEBSITE: [www.ferrantitapchangers.com](http://www.ferrantitapchangers.com)

ISSUE 2 (JAN 2012)

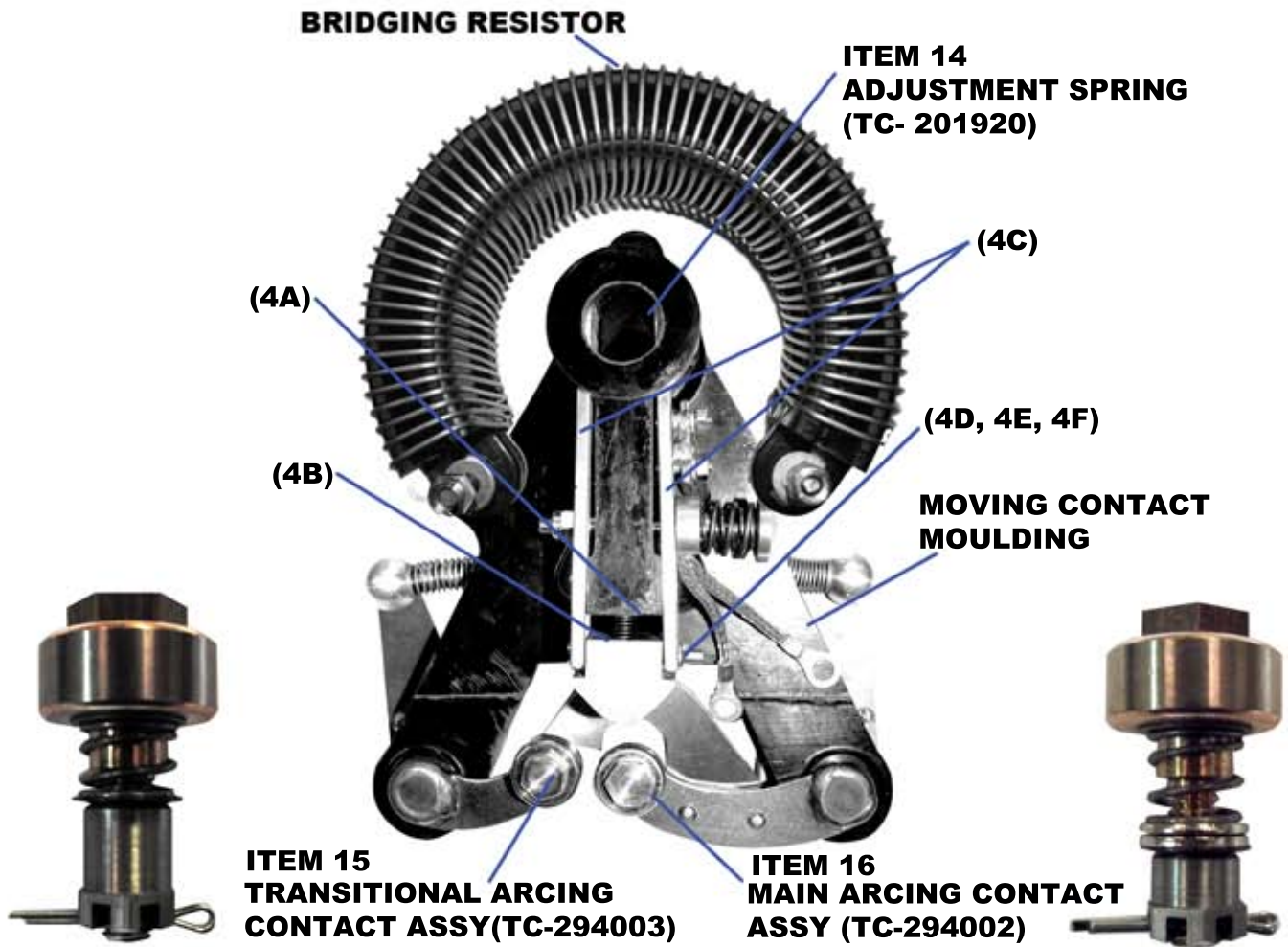
# GENERAL VIEW OF DS300 TAPCHANGER



# GENERAL VIEW OF DS300 TAPCHANGER WITH COVERS REMOVED



# MOVING CONTACT ARM COMPONENTS AND ASSEMBLY



(4B)  
MAIN CONTACT



(4C)  
CONTACT BARS

ITEM 17  
MAIN CONTACT KIT  
TC-294007

COMPRISING

- 4A
- 4B
- 4C
- 4D
- 4E
- 4F



(4F)  
MAIN CONTACT WASHER



(4E)  
SPLIT PIN



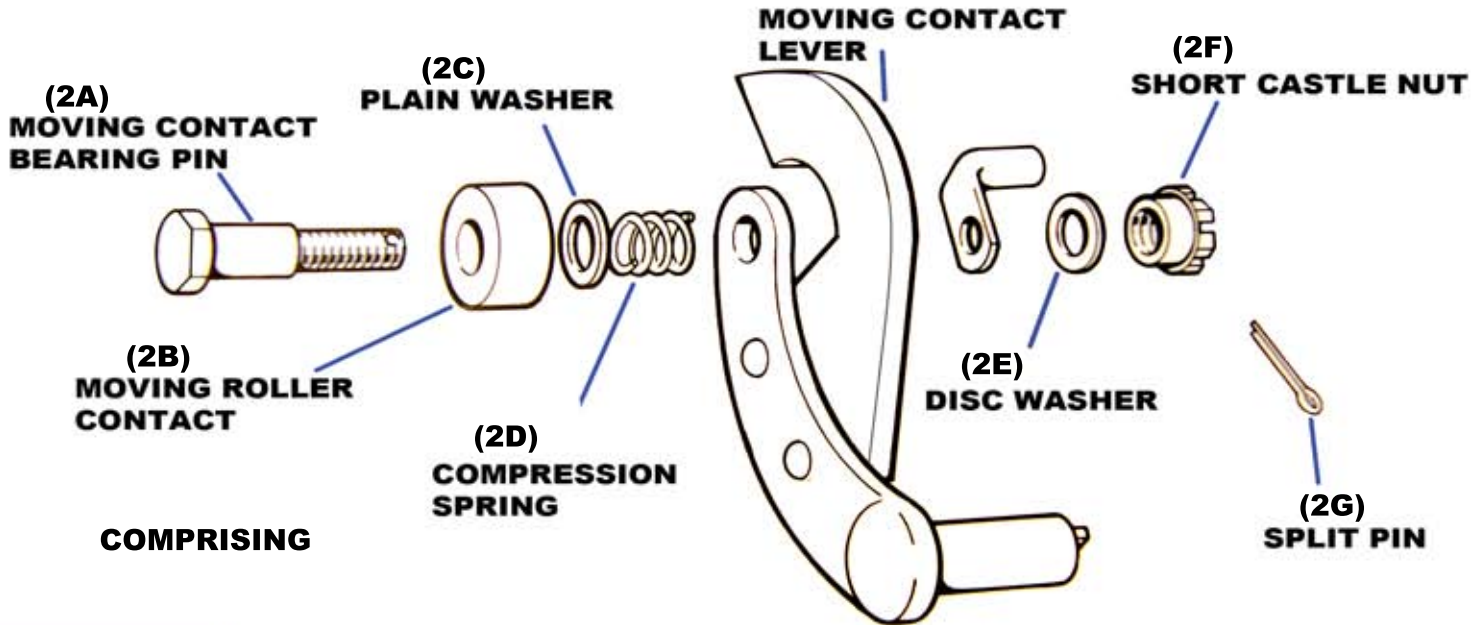
(4A)  
MAIN CONTACT SPRINGS



(4D)  
HINGE PIN



# EXPLODED VIEW OF MAIN ARCING CONTACT

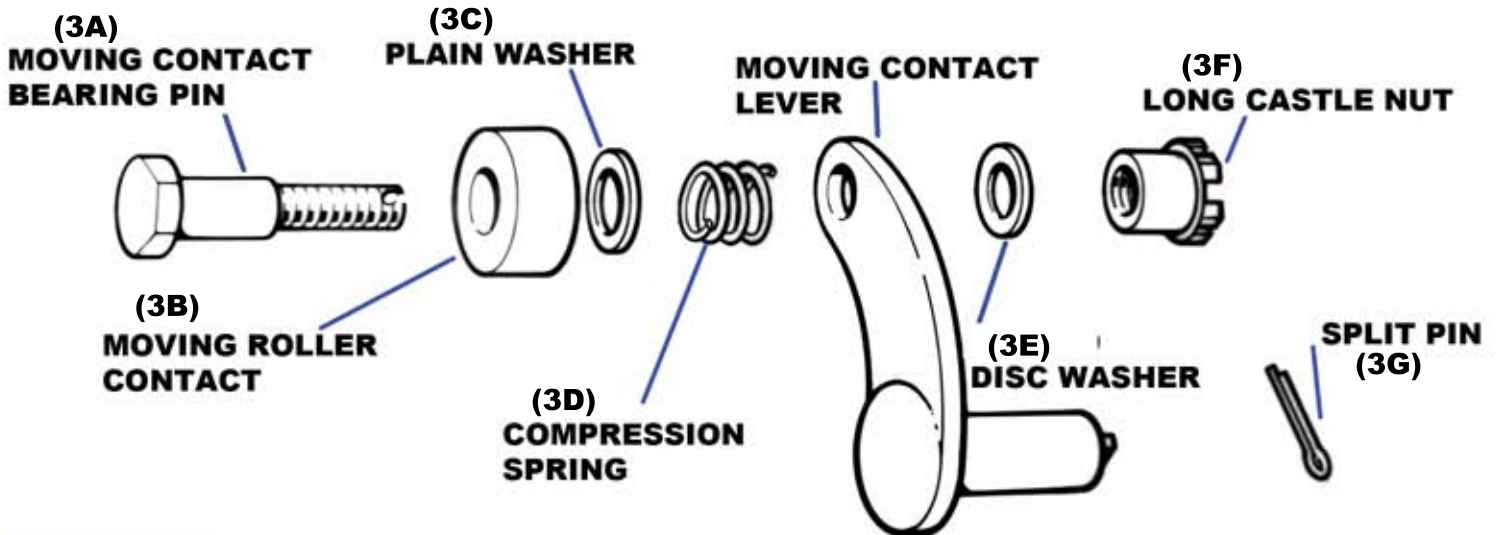


**ITEM 16  
ROLLER  
CONTACT KIT  
SHORT NUT  
TC-294002**

COMPRISING

- 2A- MOVING CONTACT BEARING PIN
- 2B- MOVING ROLLER CONTACT
- 2C- PLAIN WASHER
- 2D- COMPRESSION SPRING
- 2E- DISC WASHER
- 2F- SHORT CASTLE NUT
- 2G- SPLIT PIN

# EXPLODED VIEW OF TRANSITIONAL ARCING CONTACT



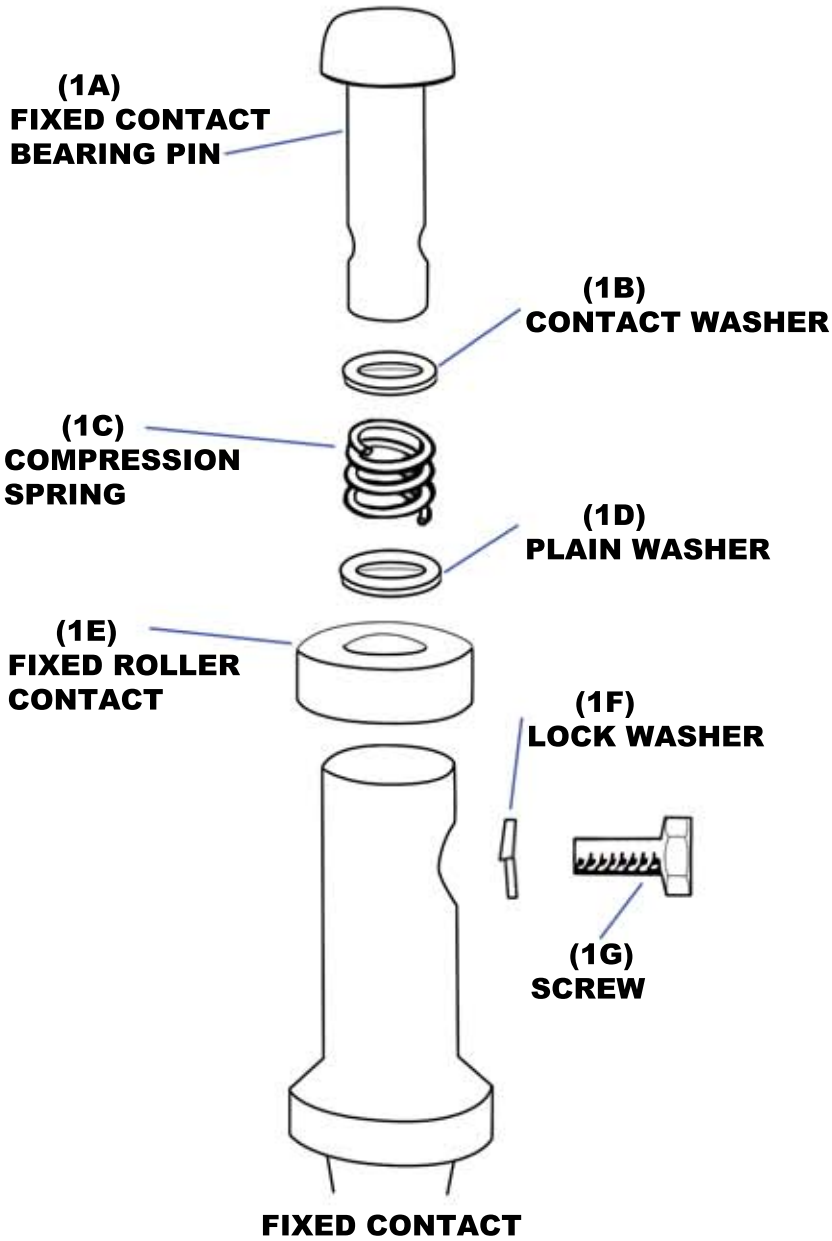
**ITEM 15  
ROLLER  
CONTACT KIT  
LONG NUT  
TC-294003**

COMPRISING

- 3A- MOVING CONTACT BEARING PIN
- 3B- MOVING ROLLER CONTACT
- 3C- PLAIN WASHER
- 3D- COMPRESSION SPRING
- 3E- DISC WASHER
- 3F- LONG CASTLE NUT
- 3G- SPLIT PIN



# EXPLODED VIEW OF FIXED CONTACT



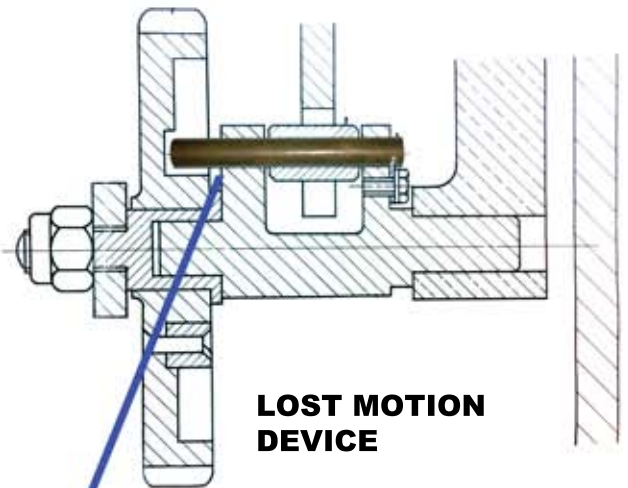
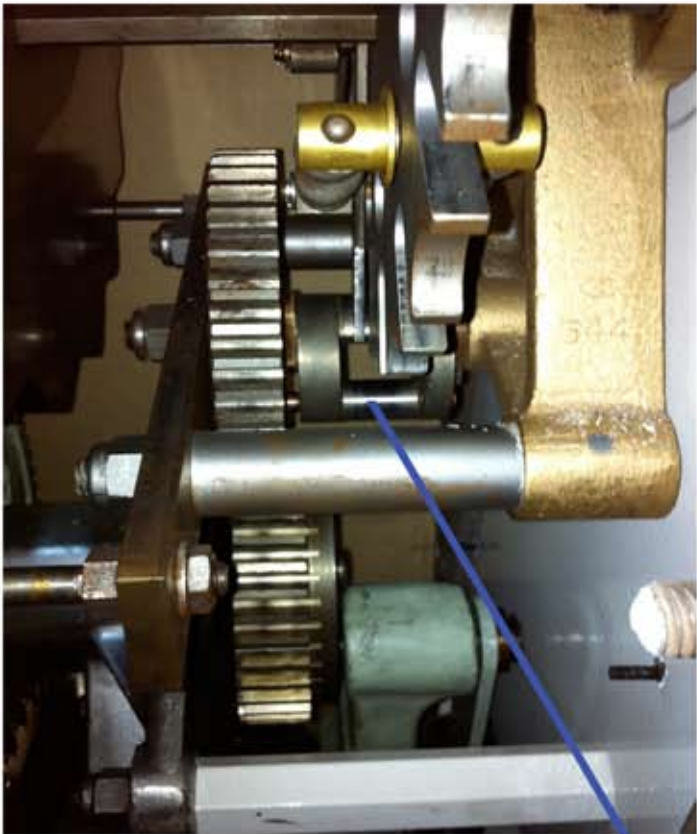
**ITEM 18  
FIXED CONTACT KIT  
TC-294006**

COMPRISING  
1A  
1B  
1C  
1D  
1E  
1F  
1G





**ITEM 12  
COUNTER ASSY 5- FIGURE  
TC-9530013**



**LOST MOTION  
DEVICE**



**ITEM 13  
DRIVE PIN  
TC-202198002**



# FERRANTI TAPCHANGERS LIMITED



## DS300 MAINTENANCE PARTS

ITEM	PAGE	PART NUMBER	DESCRIPTION	KIT QTY	QTY REQ
1	2	TC-202630002	TOP TERMINAL COVER GASKET	1	
2	2	TC-224068003	TOP OIL LEVEL SIGHT GASKET	2	
3	2	TC-224068002	TOP TERMINAL SIGHT WINDOW	1	
4	2	TC-209053	OIL SURGE / LOW LEVEL TERMINAL COVER GASKET	1	
5	2	TC-202050	AIR RELEASE VALVE	1	
6	2	TC-202628	TOP OIL LEVEL SIGHT WINDOW	1	
7	2	TC-202630001	TOP OIL LEVEL SIGHT GASKET	2	
8	2	TC-202643	GEARBOX OIL SIGHT WINDOW	1	
9	2	TC-202645	GEARBOX OIL LEVEL SIGHT GASKET	2	
10	3	TC-228742001	MAIN FRONT COVER GASKET	1	
11	3	TC-830474	GEARBOX COVER GASKET	1	
12	3,7	TC-9530013	OPERATION COUNTER	1	
13	7	TC-202198002	DRIVE PIN	1	
14	4	TC-201920	ADJUSTMENT SPRING	3	
15	4,5	TC-294003	MOVING CONTACT ASSY-LONG NUT	3	
16	4,5	TC-294002	MOVING CONTACT ASSY - SHORT NUT	3	
17	4	TC-294007	MAIN CONTACT KIT	3	
18	6	TC-294006	FIXED CONTACT KIT	51	



Why not fax or email a copy of this as your order or enquiry to sales on ++44(0)161 652 5334 (Fax) or  [sales@ferrantitapchangers.com](mailto:sales@ferrantitapchangers.com)

PLEASE NOTE: PARTS NOT IDENTIFIED ARE ALSO AVAILABLE EX STOCK

### CONTACT

Email: [sales@ferrantitapchangers.com](mailto:sales@ferrantitapchangers.com)  
Web Site: [www.ferrantitapchangers.com](http://www.ferrantitapchangers.com)

Ferranti Tapchangers Limited  
Unit 8/9 Southlink Business Park,  
Hamilton Street,  
Oldham,  
Lancs  
UK  
OL4 1DP

Tel: ++44 (0)161 652 2800  
Fax: ++44 (0)161 652 5344



8774